

Load Cell Weigh Module

Lift and Weigh in 1 go!



Fast Return of Investment

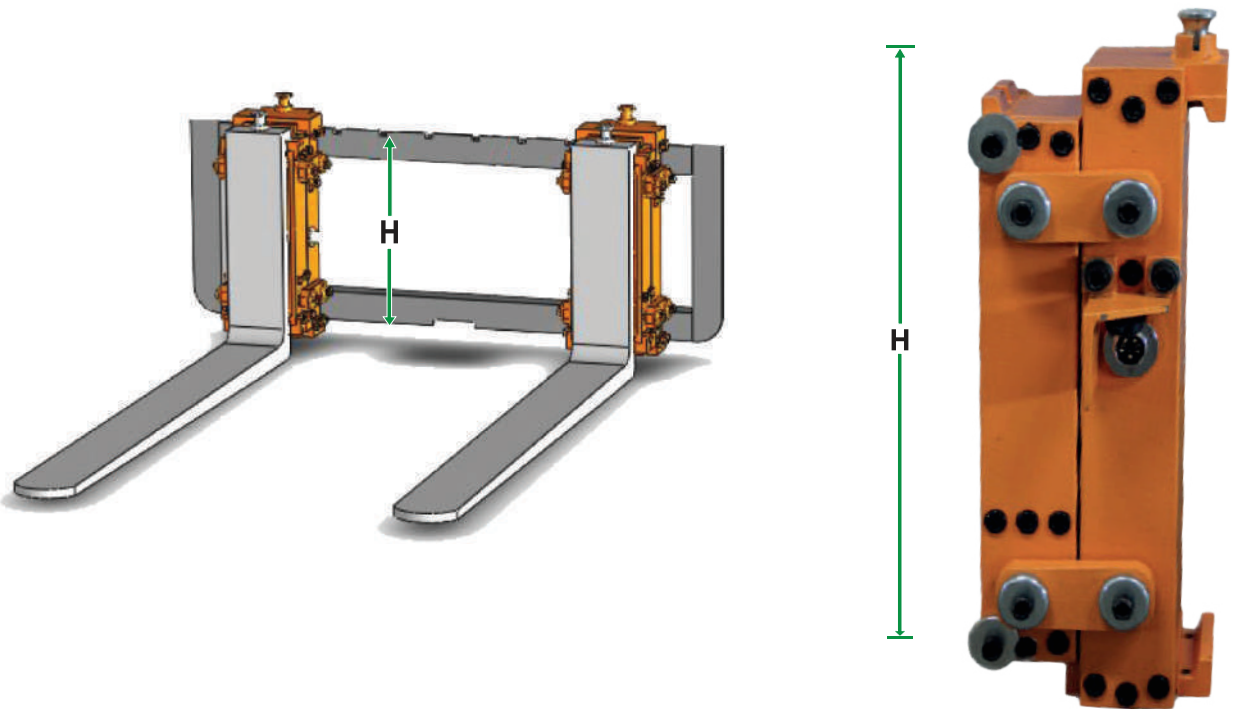
High Accuracy + Time Saving + Improve Efficiency + Fuel Savings + Less Maintenance = PROFIT!

In times of global competitions and escalating overhead and energy costs, every dollar saved in a routine operation by efficiency improvements and effective management of valuable assets translate to improved business profitability. Having the ability to weigh your cargos directly from the forklift has significant time, operational and cost advantages.

ADITYA's innovative load cell on-board forklift weigh modules enable lift and weigh simultaneously. This versatile technology has been specifically designed to meet all critical customers' requirements from easy to fit to the ability to withstand the harshest industrial frequent knock and impact environments imaginable.

**“High accuracy and durability”
“Robust, versatile, portable and reliable”**

Load Cell Weigh Module



FEATURES

- Unrivalled performance and accuracy (within 0.1%* of weighing capacity).
- Durable and robust carriage mount weighing modules on hook type forks.
- High resistance to shock, frequent knock and impacts environments.
- Fits any forklift with standard Class II, III and IV carriage.
- Innovative latch on design, very easy installation.
- No modification needed on forklift.
- Modular designs adaptable to all indicator and other enhancements.

**Basis: weighing done on a level surface.*

ADITYA TECHNOLOGIES

No.20/1, Vaigai Colony, 12th Avenue, Ashok Nagar, Chennai - 60008, Tamilnadu, India, Mob: 9380009748